

customer \_\_\_\_\_

make/model \_\_\_\_\_

shop \_\_\_\_\_

date received \_\_\_\_\_

date due \_\_\_\_\_

# PAIN T ORDER FORM

Customer \_\_\_\_\_

Address \_\_\_\_\_

\_\_\_\_\_

Work phone \_\_\_\_\_

Home phone \_\_\_\_\_

Dealer \_\_\_\_\_

Salesperson \_\_\_\_\_

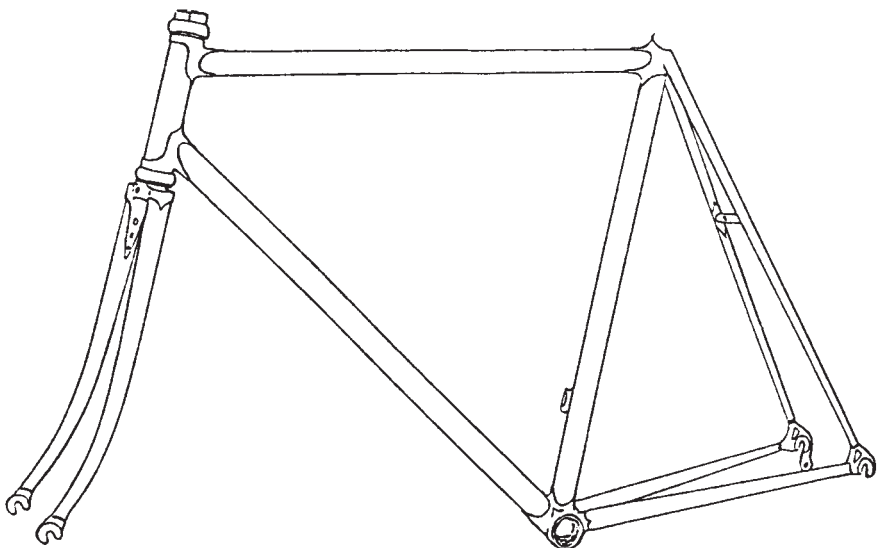
Make/model \_\_\_\_\_

Serial # \_\_\_\_\_

Other parts sent \_\_\_\_\_

\_\_\_\_\_

\_\_\_\_\_



- Frame & fork
- Frame only
- Fork only

## PAINTING

- Deluxe Finish** \$275 \_\_\_\_\_  
Color \_\_\_\_\_ Imron #: \_\_\_\_\_
- Team Issue Finish** \$400 \_\_\_\_\_  
Color \_\_\_\_\_ Imron #: \_\_\_\_\_
- Signature Finish** \$450 \_\_\_\_\_  
Color \_\_\_\_\_ Imron #: \_\_\_\_\_

### PAINT OPTIONS (available with Signature or Team Issue finish only)

- Contrasting Paint:**
  - Head tube: color \_\_\_\_\_ Imron #: \_\_\_\_\_ \$60 \_\_\_\_\_
  - Seat tube: color \_\_\_\_\_ Imron #: \_\_\_\_\_ \$60 \_\_\_\_\_
  - Fork crown: color \_\_\_\_\_ Imron #: \_\_\_\_\_ \$60 \_\_\_\_\_
  - Head lugs: color \_\_\_\_\_ Imron #: \_\_\_\_\_ \$125 \_\_\_\_\_
- Custom Mixed Colors**
  - Pearl: color \_\_\_\_\_ \$125 \_\_\_\_\_
  - Candy: color \_\_\_\_\_ \$125 \_\_\_\_\_
  - Flamboyant: color \_\_\_\_\_ \$125 \_\_\_\_\_
- Fade:** from (color) \_\_\_\_\_ to (color) \_\_\_\_\_ \$125 \_\_\_\_\_  
from (Imron #) \_\_\_\_\_ to (Imron #) \_\_\_\_\_  
 Additional color \_\_\_\_\_ Imron #: \_\_\_\_\_ \$50 \_\_\_\_\_
- Cut-Out Detailing:** color \_\_\_\_\_ \$50 \_\_\_\_\_
- Lug Lining:** color \_\_\_\_\_ \$175 \_\_\_\_\_
- Decal Installation:** \_\_\_\_\_  
specify decals \_\_\_\_\_
- Painted pump (we supply):**  Silca \$50  Zéfal HPX \$75 \_\_\_\_\_
- Clean, seal, reinstall headbadge** \$40 \_\_\_\_\_
- Touch-up paint** \$10 \_\_\_\_\_
- Other:** \_\_\_\_\_
- \_\_\_\_\_
- \_\_\_\_\_
- \_\_\_\_\_
- \_\_\_\_\_

## MASK EXISTING CHROME

- Front dropout faces** \$20 \_\_\_\_\_
- Rear dropout faces** \$30 \_\_\_\_\_
- Rear dropout faces + right chainstay** \$50 \_\_\_\_\_
- Head lugs (Nervex and other hand-cut lugs extra)** \$90 \_\_\_\_\_
- Front derailleur hanger** \$20 \_\_\_\_\_
- Fork crown** \$50 \_\_\_\_\_
- Seat lug** \$50 \_\_\_\_\_
- Complete rear stays + dropouts** \$60 \_\_\_\_\_
- Other:** \_\_\_\_\_

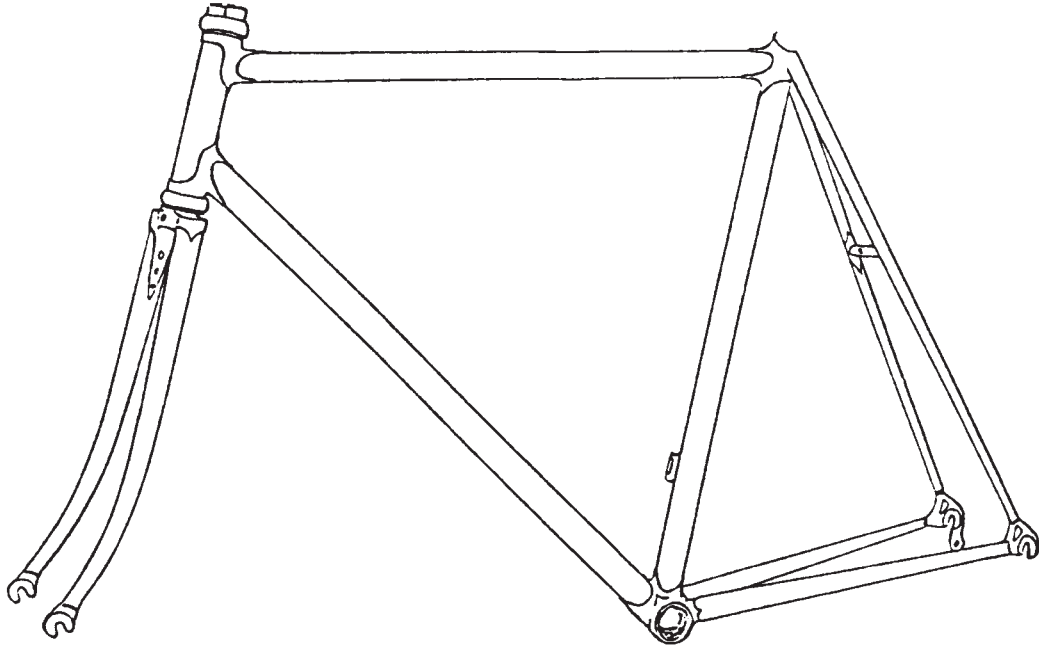
## NEW CHROME

- Front dropout faces** \$125 \_\_\_\_\_
- Rear dropout faces** \$150 \_\_\_\_\_
- Fork crown & front dropout faces** \$250 \_\_\_\_\_
- Complete fork** \$250 \_\_\_\_\_
- Rear dropouts + right chainstay** \$275 \_\_\_\_\_
- Rear dropouts + both chainstays** \$325 \_\_\_\_\_
- Head lugs (both)** \$225 \_\_\_\_\_
- Seat lug** \$150 \_\_\_\_\_
- Front derailleur hanger** \$50 \_\_\_\_\_
- Complete rear stays + rear dropouts** \$400 \_\_\_\_\_
- Other:** \_\_\_\_\_

PAGE 1 SUBTOTAL \_\_\_\_\_



# FRAME REPAIR ORDER



## BRAZE-ONS

- |  |       |       |
|--|-------|-------|
| 1. Water bottle bosses (pair)                      | \$35  | _____ |
| 2. Pump peg (ea.) Pump type _____                  | \$20  | _____ |
| 3. Top-of-b/b cable guide (front derailleur cable) | \$30  | _____ |
| 4. Top-of-b/b cable guide (rear derailleur cable)  | \$30  | _____ |
| 5. Plastic under-b/b cable guide (both cables)     | \$20  | _____ |
| 6. Chainstay cable stop                            | \$20  | _____ |
| 7. Downtube shifter bosses (pair)                  | \$35  | _____ |
| 8. Fingertip shifter bosses (pair)                 | \$35  | _____ |
| 9. Top tube cable guides (set of three)            | \$35  | _____ |
| 10. Top tube cable stops (pair)                    | \$35  | _____ |
| 11. Stainless steel internal brake cable guide     | \$125 | _____ |
| 12. Front derailleur boss                          | \$35  | _____ |
| 13. Chain hanger peg                               | \$20  | _____ |
| 14. Rack dropout eyelets (pair)                    | \$40  | _____ |
| 15. Lowrider rack bosses (pair)                    | \$50  | _____ |
| 16. Seatstay rack bosses (pair)                    | \$40  | _____ |
| 17. Fender-mounting boss (each)                    | \$25  | _____ |
| 18. Cantilever brake bosses (pair)                 | \$50  | _____ |
| Rim size _____ Brake _____                         |       |       |
| 19. Other: _____                                   |       | _____ |
| _____  |       | _____ |
| _____  |       | _____ |

## REMOVE BRAZE-ONS

20. Stops, guides etc: show location on diagram above \$10/ea. \_\_\_\_\_
- \_\_\_\_\_
- \_\_\_\_\_
- \_\_\_\_\_

## DAMAGE REPAIR

- |                                     |       |       |
|-------------------------------------|-------|-------|
| o Main tube replacement (each)      | \$225 | _____ |
| Location _____                      |       |       |
| o Rear dropout replacement (each)   | \$175 | _____ |
| o Steering column replacement       | \$150 | _____ |
| o Seatstay replacement (each)       | \$175 | _____ |
| o Chainstay replacement (each)      | \$175 | _____ |
| o Brake bridge replacement          | \$100 | _____ |
| o Other: _____                      |       | _____ |
| _____                               |       | _____ |
| o Frame alignment Hub spacing _____ | \$60  | _____ |
| o Fork alignment                    | \$30  | _____ |
| o Rear hub spacing only             | \$30  | _____ |

## RUST & DENTS

- |                                     |       |       |
|-------------------------------------|-------|-------|
| o Roll & fill dents (show location) | quote | _____ |
| o Fill small dings (show location)  | quote | _____ |
| o Repair rust pits                  | quote | _____ |
| o Fill head-badge holes             | \$25  | _____ |
| o Internal rust treatment           | \$25  | _____ |

## ASSEMBLY PREP

- |                                       |      |       |
|---------------------------------------|------|-------|
| o Install headset                     | \$25 | _____ |
| o Install bottom bracket              | \$25 | _____ |
| o Install headset races and fixed cup | \$20 | _____ |

PAGE 2 SUBTOTAL \_\_\_\_\_

PAGE 1 SUBTOTAL \_\_\_\_\_

SHIPPING + INSURANCE \_\_\_\_\_

TOTAL \_\_\_\_\_

LESS DEPOSIT \_\_\_\_\_

BALANCE DUE \_\_\_\_\_