

customer _____

make/model _____

shop _____

date received _____

date due _____

PAINT ORDER FORM

Customer _____

Address _____

Work phone _____

Home phone _____

Dealer _____

Salesperson _____

Make/model _____

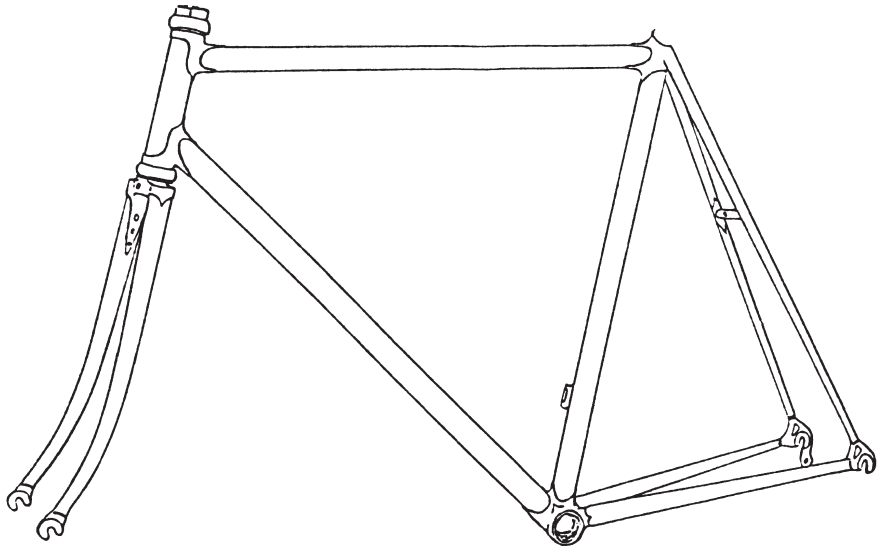
Serial # _____

Other parts sent _____

Frame & fork

Frame only

Fork only



PAINTING

Deluxe Finish \$350 _____

Color _____ Imron #: _____

Signature Finish \$575 _____

Color _____ Imron #: _____

PAINT OPTIONS (available with Signature finish only)

Contrasting Paint:

Head tube: color _____ Imron #: _____ \$75 _____

Seat tube: color _____ Imron #: _____ \$75 _____

Fork crown: color _____ Imron #: _____ \$75 _____

Head lugs: color _____ Imron #: _____ \$150 _____

Custom Mixed Colors

Pearl: color _____ \$150 _____

Candy: color _____ \$150 _____

Flamboyant: color _____ \$150 _____

Fade: from (color) _____ to (color) _____ \$150 _____

from (Imron #) _____ to (Imron #) _____

Additional color _____ Imron #: _____ \$75 _____

Cut-Out Detailing: color _____ \$60 _____

Lug Lining: color _____ \$200 _____

Decal Installation: _____

specify decals _____

Painted pump (we supply): Silca \$70 Zéfal HPX \$95 _____

Clean, seal, reinstall headbadge \$50 _____

Touch-up paint \$20 _____

Other: _____

MASK EXISTING CHROME

Front dropout faces \$25 _____

Rear dropout faces \$35 _____

Rear dropout faces + right chainstay \$60 _____

Head lugs (Nervex and other hand-cut lugs extra) \$100 _____

Front derailleur hanger \$25 _____

Fork crown \$60 _____

Seat lug \$60 _____

Complete rear stays + dropouts \$75 _____

Other: _____

NEW CHROME

Front dropout faces \$175 _____

Rear dropout faces \$200 _____

Fork crown & front dropout faces \$350 _____

Complete fork \$350 _____

Rear dropouts + right chainstay \$400 _____

Rear dropouts + both chainstays \$450 _____

Head lugs (both) \$350 _____

Seat lug \$200 _____

Front derailleur hanger \$50 _____

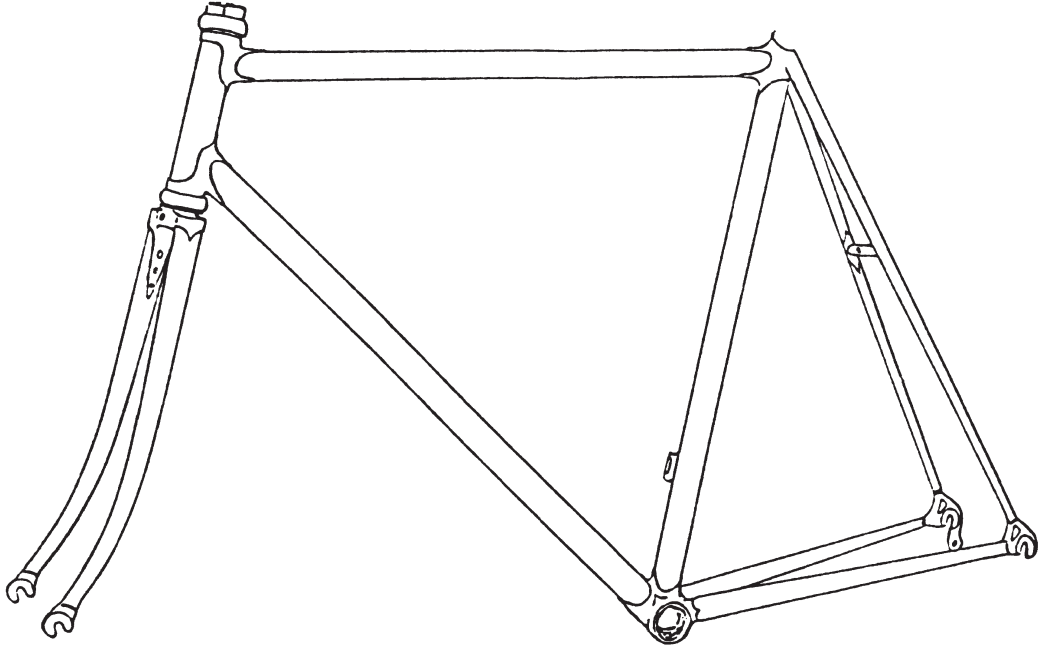
Complete rear stays + rear dropouts \$500 _____

Other: _____

PAGE 1 SUBTOTAL _____



FRAME REPAIR ORDER



BRAZE-ONS

- | | | |
|--|-------|-------|
| 1. Water bottle bosses (pair) | \$ 40 | _____ |
| 2. Pump peg (ea.) Pump type _____ | \$ 25 | _____ |
| 3. Top-of-b/b cable guide (front derailleur cable) | \$ 35 | _____ |
| 4. Top-of-b/b cable guide (rear derailleur cable) | \$ 35 | _____ |
| 5. Plastic under-b/b cable guide (both cables) | \$ 25 | _____ |
| 6. Chainstay cable stop | \$ 25 | _____ |
| 7. Downtube shifter bosses (pair) | \$ 40 | _____ |
| 8. Fingertip shifter bosses (pair) | \$ 40 | _____ |
| 9. Top tube cable guides (set of three) | \$ 40 | _____ |
| 10. Top tube cable stops (pair) | \$ 40 | _____ |
| 11. Stainless steel internal brake cable guide | \$150 | _____ |
| 12. Front derailleur boss | \$ 40 | _____ |
| 13. Chain hanger peg | \$ 25 | _____ |
| 14. Rack dropout eyelets (pair) | \$ 50 | _____ |
| 15. Lowrider rack bosses (pair) | \$ 60 | _____ |
| 16. Seatstay rack bosses (pair) | \$ 50 | _____ |
| 17. Fender-mounting boss (each) | \$ 30 | _____ |
| 18. Cantilever brake bosses (pair) | \$ 60 | _____ |
| Rim size _____ Brake _____ | | |
| 19. Other: _____ | | _____ |
| _____ | | _____ |
| _____ | | _____ |

REMOVE BRAZE-ONS

20. Stops, guides etc: show location on diagram above \$10/ea. _____
- _____
- _____
- _____

DAMAGE REPAIR

- | | | |
|--|-------|-------|
| <input type="checkbox"/> Main tube replacement (each) | \$250 | _____ |
| Location _____ | | |
| <input type="checkbox"/> Rear dropout replacement (each) | \$200 | _____ |
| <input type="checkbox"/> Steering column replacement | \$200 | _____ |
| <input type="checkbox"/> Seatstay replacement (each) | \$200 | _____ |
| <input type="checkbox"/> Chainstay replacement (each) | \$200 | _____ |
| <input type="checkbox"/> Brake bridge replacement | \$150 | _____ |
| <input type="checkbox"/> Other: _____ | | _____ |
| <input type="checkbox"/> Frame alignment Hub spacing _____ | \$ 75 | _____ |
| <input type="checkbox"/> Fork alignment | \$ 40 | _____ |
| <input type="checkbox"/> Rear hub spacing only | \$ 40 | _____ |

RUST & DENTS

- | | | |
|--|-------|-------|
| <input type="checkbox"/> Roll & fill dents (show location) | quote | _____ |
| <input type="checkbox"/> Fill small dings (show location) | quote | _____ |
| <input type="checkbox"/> Repair rust pits | quote | _____ |
| <input type="checkbox"/> Fill head-badge holes | \$ 35 | _____ |
| <input type="checkbox"/> Internal rust treatment | \$ 35 | _____ |

ASSEMBLY PREP

- | | | |
|--|-------|-------|
| <input type="checkbox"/> Install headset | \$ 30 | _____ |
| <input type="checkbox"/> Install bottom bracket | \$ 30 | _____ |
| <input type="checkbox"/> Install headset races and fixed cup | \$ 25 | _____ |

PAGE 2 SUBTOTAL _____

PAGE 1 SUBTOTAL _____

SHIPPING + INSURANCE _____

TOTAL _____

LESS DEPOSIT _____

BALANCE DUE _____