

customer \_\_\_\_\_

make/model \_\_\_\_\_

shop \_\_\_\_\_

date received \_\_\_\_\_

date due \_\_\_\_\_

# PAINT ORDER FORM

Customer \_\_\_\_\_

Address \_\_\_\_\_

\_\_\_\_\_

Work phone \_\_\_\_\_

Home phone \_\_\_\_\_

Dealer \_\_\_\_\_

Salesperson \_\_\_\_\_

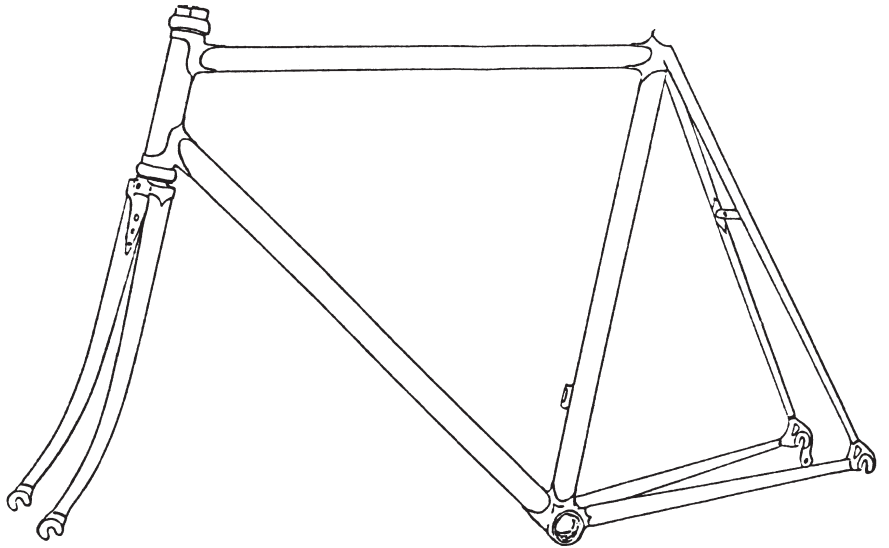
Make/model \_\_\_\_\_

Serial # \_\_\_\_\_

Other parts sent \_\_\_\_\_

\_\_\_\_\_

\_\_\_\_\_



- Frame & fork
- Frame only
- Fork only

## PAINTING

- Deluxe Finish** \$350 \_\_\_\_\_  
Color \_\_\_\_\_ Imron #: \_\_\_\_\_
- Team Issue Finish** \$495 \_\_\_\_\_  
Color \_\_\_\_\_ Imron #: \_\_\_\_\_
- Signature Finish** \$550 \_\_\_\_\_  
Color \_\_\_\_\_ Imron #: \_\_\_\_\_

**PAINT OPTIONS** (available with Signature or Team Issue finish only)

- Contrasting Paint:**
  - Head tube: color \_\_\_\_\_ Imron #: \_\_\_\_\_ \$75 \_\_\_\_\_
  - Seat tube: color \_\_\_\_\_ Imron #: \_\_\_\_\_ \$75 \_\_\_\_\_
  - Fork crown: color \_\_\_\_\_ Imron #: \_\_\_\_\_ \$75 \_\_\_\_\_
  - Head lugs: color \_\_\_\_\_ Imron #: \_\_\_\_\_ \$150 \_\_\_\_\_
- Custom Mixed Colors**
  - Pearl: color \_\_\_\_\_ \$150 \_\_\_\_\_
  - Candy: color \_\_\_\_\_ \$150 \_\_\_\_\_
  - Flamboyant: color \_\_\_\_\_ \$150 \_\_\_\_\_
- Fade:** from (color) \_\_\_\_\_ to (color) \_\_\_\_\_ \$150 \_\_\_\_\_  
from (Imron #) \_\_\_\_\_ to (Imron #) \_\_\_\_\_
- Additional color \_\_\_\_\_ Imron #: \_\_\_\_\_ \$75 \_\_\_\_\_
- Cut-Out Detailing:** color \_\_\_\_\_ \$60 \_\_\_\_\_
- Lug Lining:** color \_\_\_\_\_ \$200 \_\_\_\_\_
- Decal Installation:** \_\_\_\_\_  
specify decals \_\_\_\_\_
- Painted pump** (we supply):  Silca \$60  Zéfal HPX \$95 \_\_\_\_\_
- Clean, seal, reinstall headbadge** \$50 \_\_\_\_\_
- Touch-up paint** \$15 \_\_\_\_\_
- Other:**
  - \_\_\_\_\_
  - \_\_\_\_\_
  - \_\_\_\_\_
  - \_\_\_\_\_

## MASK EXISTING CHROME

- Front dropout faces** \$25 \_\_\_\_\_
- Rear dropout faces** \$35 \_\_\_\_\_
- Rear dropout faces + right chainstay** \$60 \_\_\_\_\_
- Head lugs** (Nervex and other hand-cut lugs extra) \$100 \_\_\_\_\_
- Front derailleur hanger** \$25 \_\_\_\_\_
- Fork crown** \$60 \_\_\_\_\_
- Seat lug** \$60 \_\_\_\_\_
- Complete rear stays + dropouts** \$75 \_\_\_\_\_
- Other:** \_\_\_\_\_

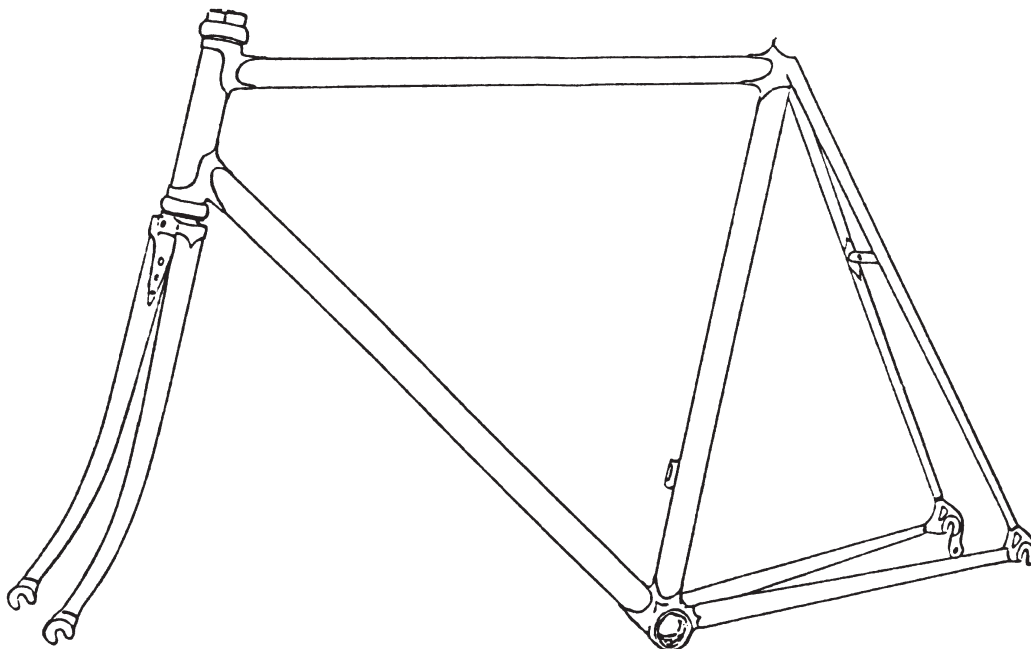
## NEW CHROME

- Front dropout faces** \$175 \_\_\_\_\_
- Rear dropout faces** \$200 \_\_\_\_\_
- Fork crown & front dropout faces** \$350 \_\_\_\_\_
- Complete fork** \$350 \_\_\_\_\_
- Rear dropouts + right chainstay** \$400 \_\_\_\_\_
- Rear dropouts + both chainstays** \$450 \_\_\_\_\_
- Head lugs** (both) \$350 \_\_\_\_\_
- Seat lug** \$200 \_\_\_\_\_
- Front derailleur hanger** \$50 \_\_\_\_\_
- Complete rear stays + rear dropouts** \$500 \_\_\_\_\_
- Other:** \_\_\_\_\_

PAGE 1 SUBTOTAL \_\_\_\_\_



# FRAME REPAIR ORDER



## BRAZE-ONS

- |  |       |       |
|--|-------|-------|
| 1. Water bottle bosses (pair)                      | \$ 40 | _____ |
| 2. Pump peg (ea.) Pump type _____                  | \$ 25 | _____ |
| 3. Top-of-b/b cable guide (front derailleur cable) | \$ 35 | _____ |
| 4. Top-of-b/b cable guide (rear derailleur cable)  | \$ 35 | _____ |
| 5. Plastic under-b/b cable guide (both cables)     | \$ 25 | _____ |
| 6. Chainstay cable stop                            | \$ 25 | _____ |
| 7. Downtube shifter bosses (pair)                  | \$ 40 | _____ |
| 8. Fingertip shifter bosses (pair)                 | \$ 40 | _____ |
| 9. Top tube cable guides (set of three)            | \$ 40 | _____ |
| 10. Top tube cable stops (pair)                    | \$ 40 | _____ |
| 11. Stainless steel internal brake cable guide     | \$150 | _____ |
| 12. Front derailleur boss                          | \$ 40 | _____ |
| 13. Chain hanger peg                               | \$ 25 | _____ |
| 14. Rack dropout eyelets (pair)                    | \$ 50 | _____ |
| 15. Lowrider rack bosses (pair)                    | \$ 60 | _____ |
| 16. Seatstay rack bosses (pair)                    | \$ 50 | _____ |
| 17. Fender-mounting boss (each)                    | \$ 30 | _____ |
| 18. Cantilever brake bosses (pair)                 | \$ 60 | _____ |
| Rim size _____ Brake _____                         |       |       |
| 19. Other: _____                                   |       | _____ |
| _____  |       | _____ |
| _____  |       | _____ |

## REMOVE BRAZE-ONS

20. Stops, guides etc: show location on diagram above \$10/ea. \_\_\_\_\_
- \_\_\_\_\_
- \_\_\_\_\_
- \_\_\_\_\_

## DAMAGE REPAIR

- |  |       |       |
|--|-------|-------|
| <input type="checkbox"/> Main tube replacement (each)      | \$250 | _____ |
| Location _____   |       |       |
| <input type="checkbox"/> Rear dropout replacement (each)   | \$200 | _____ |
| <input type="checkbox"/> Steering column replacement       | \$200 | _____ |
| <input type="checkbox"/> Seatstay replacement (each)       | \$200 | _____ |
| <input type="checkbox"/> Chainstay replacement (each)      | \$200 | _____ |
| <input type="checkbox"/> Brake bridge replacement          | \$150 | _____ |
| <input type="checkbox"/> Other: _____                      |       | _____ |
| <input type="checkbox"/> Frame alignment Hub spacing _____ | \$ 75 | _____ |
| <input type="checkbox"/> Fork alignment                    | \$ 40 | _____ |
| <input type="checkbox"/> Rear hub spacing only             | \$ 40 | _____ |

## RUST & DENTS

- |  |       |       |
|--|-------|-------|
| <input type="checkbox"/> Roll & fill dents (show location) | quote | _____ |
| <input type="checkbox"/> Fill small dings (show location)  | quote | _____ |
| <input type="checkbox"/> Repair rust pits                  | quote | _____ |
| <input type="checkbox"/> Fill head-badge holes             | \$ 35 | _____ |
| <input type="checkbox"/> Internal rust treatment           | \$ 35 | _____ |

## ASSEMBLY PREP

- |  |       |       |
|--|-------|-------|
| <input type="checkbox"/> Install headset                     | \$ 30 | _____ |
| <input type="checkbox"/> Install bottom bracket              | \$ 30 | _____ |
| <input type="checkbox"/> Install headset races and fixed cup | \$ 25 | _____ |

PAGE 2 SUBTOTAL \_\_\_\_\_

PAGE 1 SUBTOTAL \_\_\_\_\_

SHIPPING + INSURANCE \_\_\_\_\_

TOTAL \_\_\_\_\_

LESS DEPOSIT \_\_\_\_\_

BALANCE DUE \_\_\_\_\_