

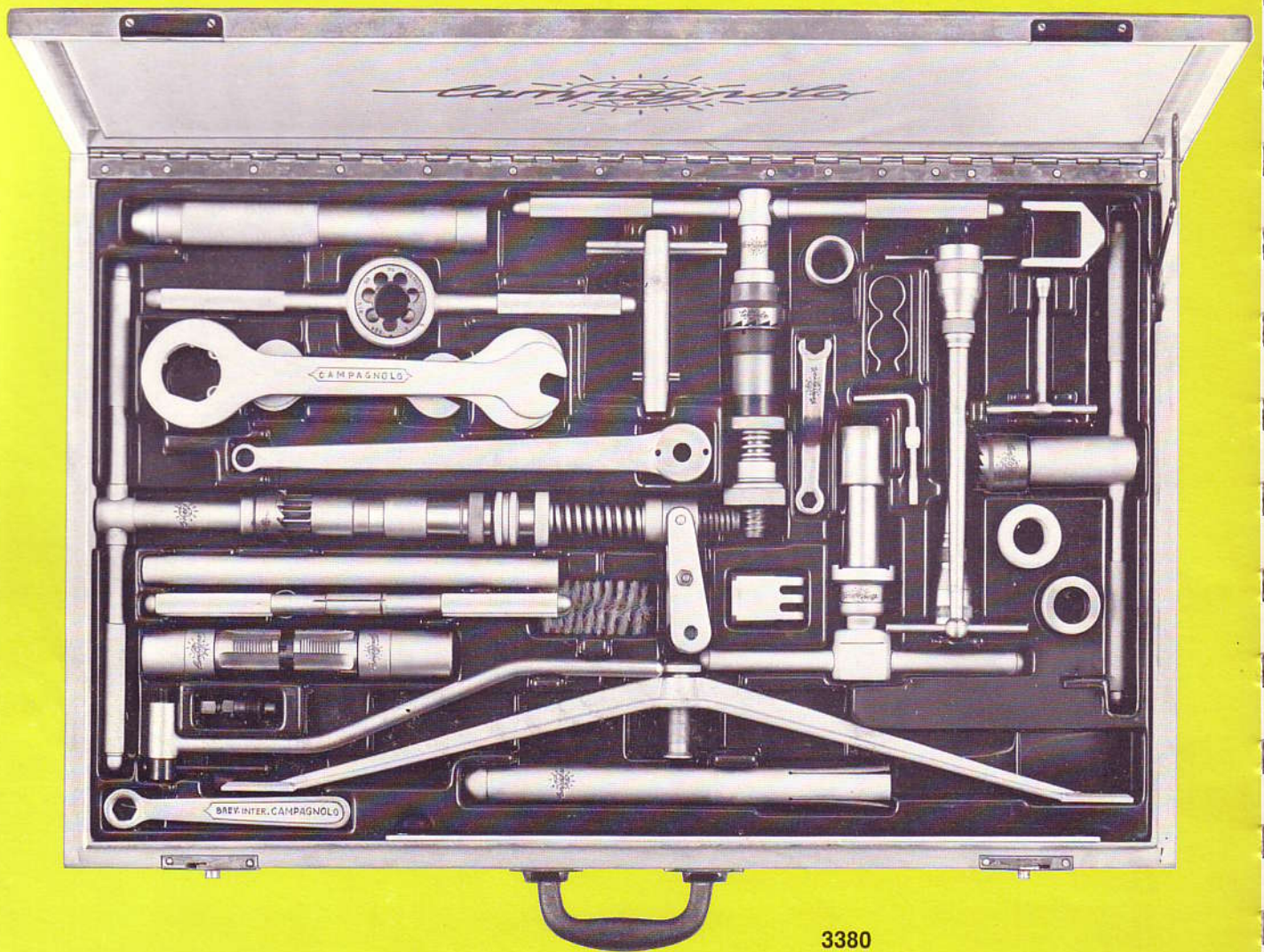
TOOL CASES

pages 84-85-86-87-88

SPECIAL TOOLS AND BICYCLE
ASSEMBLING STAND

pages 88-89

3380 CAMPAGNOLO COMPLETE TOOL CASE

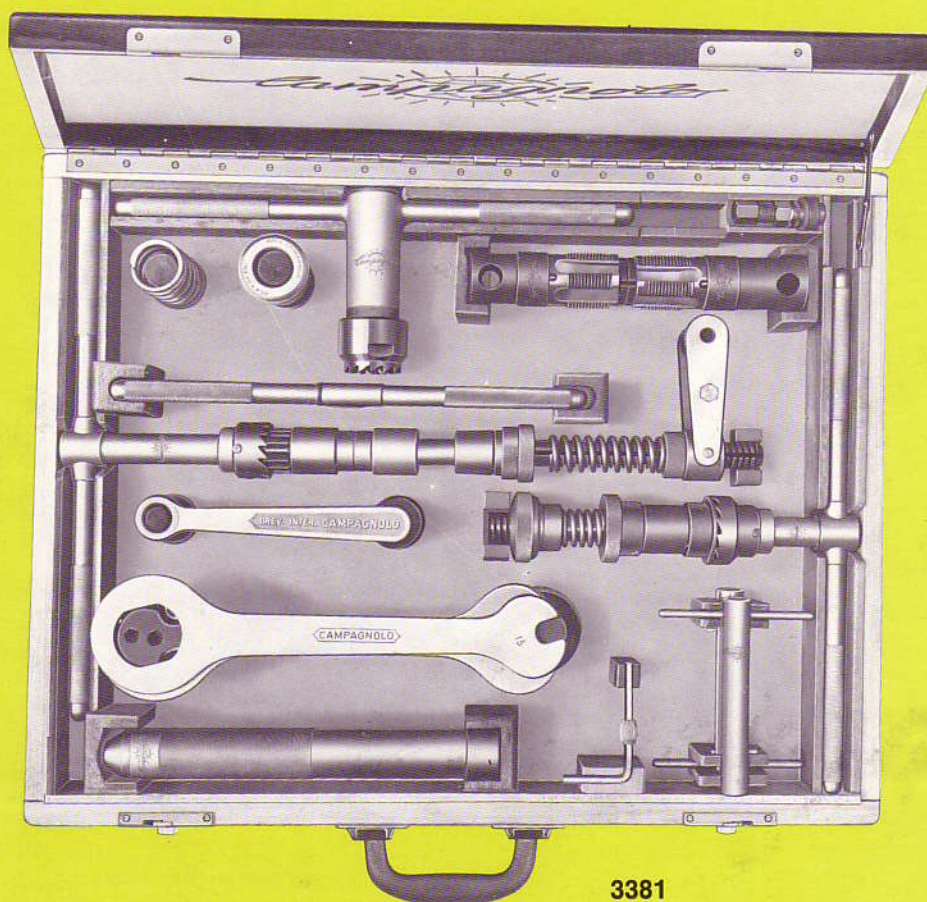


3380

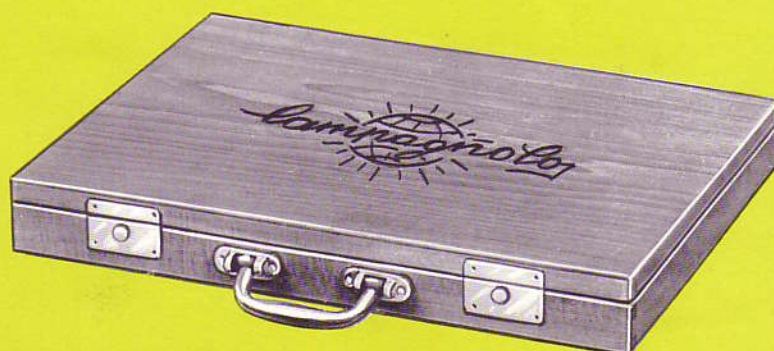


3381 CAMPAGNOLO REDUCED TOOL CASE

(USED ONLY FOR THE FITTING OF HEAD SET AND BOTTOM BRACKET SET)



3381



TOOLS CONTAINED IN TOOL CASES 3380 - 3381

P.S. ALL TOOLS MARKED WITH AN ASTERISK (*) ARE THOSE CONTAINED IN THE REDUCED TOOL CASE 3381

- 712 * Bottom bracket locking tool
- 712/1 * Bottom bracket adjusting cup tool
- 712/2 * Spacing spring for 712/1
- 712/3 * Spacing spring for head set tool
- 713 * Bottom bracket fixed cup tool
- 714 * Fork column die (specify size of threading), composed by:

- 714/1 Fork column die (specify size of threading)
- 714/2 Die holder body
- 718 * Crown race cutter, composed by:
- 718/1 * Crown race mill
- 718/2 * Cutter holder with rotation lever
- 718/3 * Guide ring
- 718/5 * Tension spring

- 718/6 * Threaded locking (specify size of threading)
- 719 Brush
- 721 * Bottom bracket double tap (specify size of threading) composed by:
- 720 * Rotation lever
- 721/1 * Tap body with stem
- 721/2 * Tap body with stem guide hole
- 721/3 * Tap locking nut
- 721/5 * Spare tap (specify size of threading)
- 722 * Headset cup punch
- 723 Headset cup remover
- 725 * Bottom bracket face cutter, composed by:

