

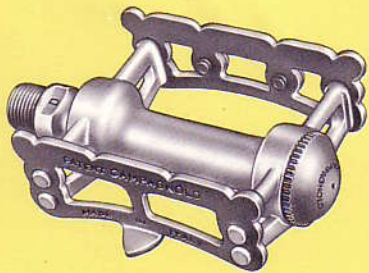
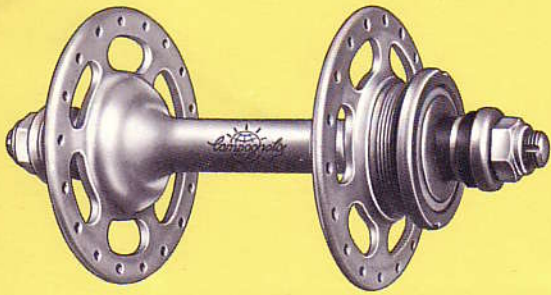
RECORD TRACK GROUP	pages 46-47
RECORD TRACK HUBS	page 48
RECORD AND SUPERLIGHT RECORD TRACK PEDALS	page 49
RECORD TRACK CHAINWHEEL SET AND BOTTOM BRACKET TRACK SET	pages 50-51
RECORD TRACK HEAD SET - RECORD SEAT PIN-FORK ENDS	page 52

1033 CAMPAGNOLO RECORD TRACK GROUP

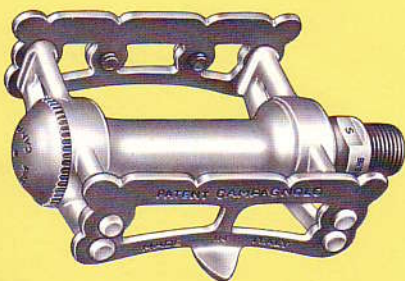
(Particular components of this group are illustrated from page 48 to page 52)



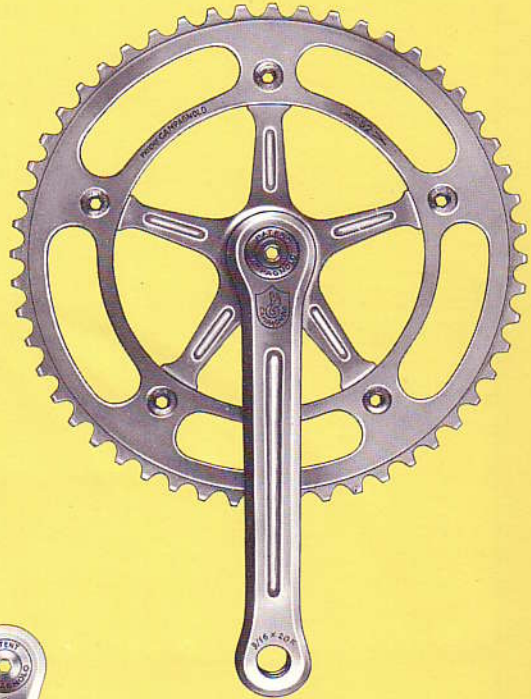
1036



1038



1050



1051



1046

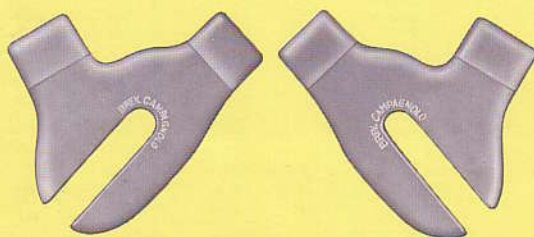




1040



1044



1053



- 1036** Pair Record large flange solid spindle track hubs (front width 100 mm., rear width 110 mm., flanges with 36 holes, thread \varnothing 35 x 24F.). Upon request furnished with rear hub width 120 mm., flanges with 24 - 28 - 32 - 40 holes, thread \varnothing 34,7 x 1M. or 1,370" x 24 Tpi-BSC. See other alternatives on page 48
- 1038** Pair Record track pedals (spindle thread \varnothing 9/16" x 20F.). Upon request furnished spindles threaded M. 14 x 1,25. See page 49
- 1040** Record track head set (thread \varnothing 25,4 x 24F.). Upon request furnished with thread \varnothing 25 x 1M. or 1" x 24 Tpi-BSC
- 1044** Seat pin. Specify diameter stem: 25 - 25,8 - 26 - 26,2 - 26,4 - 26,6 - 26,8 - 27 - 27,2 - 27,4 mm. and if length stem in 130 mm. normal or in 180 mm. long
- 1046** Record bottom bracket set (bracket width 70 mm. and cups threaded \varnothing 36 x 24F.). See alternatives on pages 50-51. Upon request is furnished the bracket safety sleeve ref. 2110-2110/1. See page 81
- 1050** Record track chainwheel set with track bottom bracket
- 1051** Record track chainset (with cranks 170 mm., pedal hole \varnothing 9/16" x 20F. and chainring for chain 1/2" x 1/8" [3 mm.]). Specify the number of teeth of the chainring available from 44T to 70T. Upon request furnished cranks with lengths 165 - 167,5 - 172,5 - 175 - 177,5 and 180 mm. and chainring for chain 1/2" x 3/32" (2 mm.). P.S.: For the sprockets see page 81
- 1053** Set track front and rear fork ends

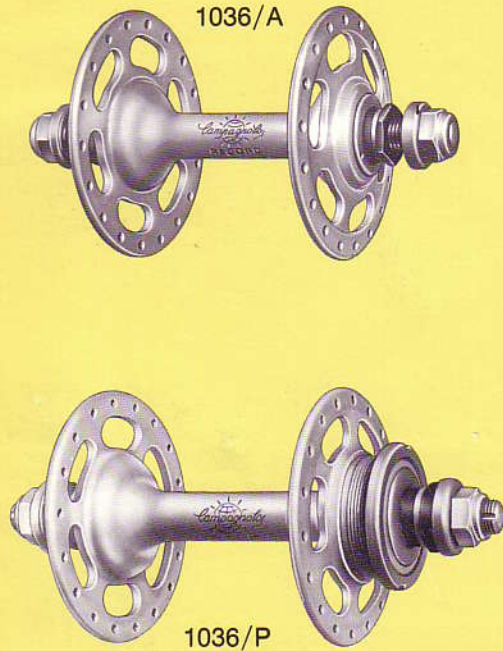
PARTICULAR COMPONENTS OF CAMPAGNOLO RECORD TRACK GROUP

1033

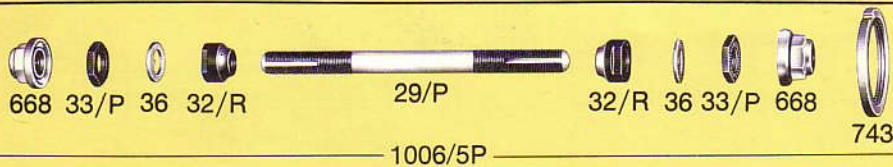
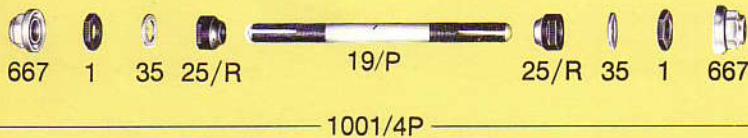
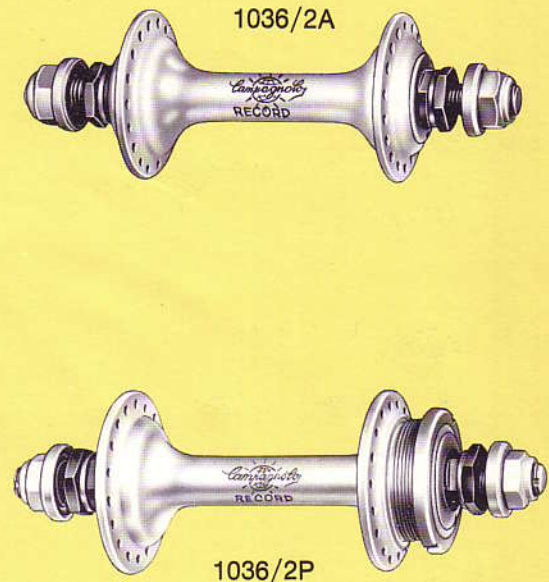
- 1036** Pair Record large flange solid spindle track hubs (front width 100 mm., rear width 120 mm., flanges with 36 holes, thread \varnothing 35 x 24F.). Upon request furnished with rear hub width 110 mm., flanges with 24 - 28 - 32 - 40 holes, thread \varnothing 34,7 x 1M. or \varnothing 1,370" x 24 Tpi-BSC
- 1036/A** Record track large flange front hub
- 1036/P** Record track large flange rear hub

- 1036/2** Pair Record small flange solid spindle track hubs (front width 100 mm., rear width 120 mm., flanges with 36 holes, thread \varnothing 35 x 24F.). Upon request furnished with rear hub width 110 mm., flanges with 24 - 28 - 32 - 40 holes, thread \varnothing 34,7 x 1M. or \varnothing 1,370" x 24 Tpi-BSC
- 1036/2A** Record track small flange front hub
- 1036/2P** Record track small flange rear hub

1036



1036/2



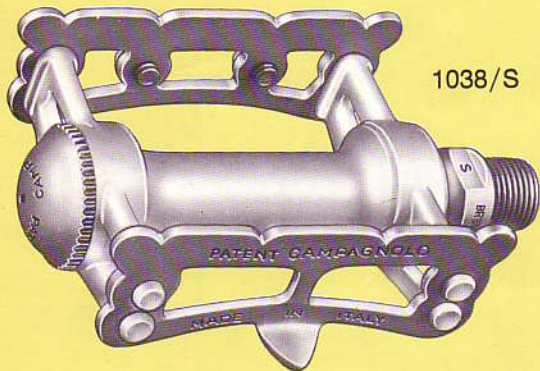
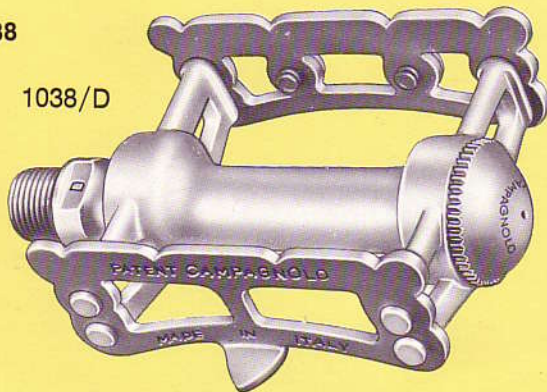
- 1** Front lock nut
- 19/P** Front track solid spindle axle
- 25/R** Front cone
- 29/P** Rear track solid spindle axle
- 32/R** Rear cone
- 33/P** Rear lock nut
- 35** Front hub lock washer
- 36** Rear hub lock washer
- 667** Track front nut
- 668** Track rear nut
- 737** Front ball cup
- 738** Rear ball cup
- 739** Front dust cover
- 740** Rear dust cover
- 743** Track lock ring
- 1001/4P** Complete front axle for Record track hub
- 1006/5P** Complete rear axle for Record track hub
- 2104** Set (9+9) special \varnothing 7/32" balls selected with 1/1000 of mm. tolerance
- 2106** Set (9+9) special \varnothing 1/4" balls selected with 1/1000 of mm. tolerance

PARTICULAR COMPONENTS OF CAMPAGNOLO RECORD TRACK GROUP 1033

- 1038 Pair Record track pedals (spindle thread \varnothing 9/16" x 20F.). Upon request furnished spindles threaded M.14 x 1,25
- 1038/D Record track right hand pedal
- 1038/S Record track left hand pedal
- 1038/A Pair Record superlight track pedals
- 1038/AD Superlight Record track right hand pedal
- 1038/AS Superlight Record track left hand pedal
- 89 Locking screw for superlight pedals
- 669 Left hand pedal axle with thread \varnothing 9/16" x 20F. Upon request furnished with thread M.14 x 1,25

- 670 Right hand pedal axle with thread \varnothing 9/16" x 20F. Upon request furnished with thread M.14 x 1,25
- 672 Inserted race (available also in oversize)
- 673 Pedal axle washer
- 674 Pedal axle cone
- 675 Pedal axle lock nut
- 676 Toe clip bolt
- 677 Toe clip washer
- 678 Inner dust cap
- 679 Record pedal dust cap
- 679/A Dust cap for superlight pedals
- 2103 Set (48) special \varnothing 5/32" pedal balls selected with 1/1000 of mm. tolerance

1038



1038/A

