

|   |                   |
|---|-------------------|
| RECORD ROAD GROUP   | pages 30-31       |
| RECORD GEAR - RECORD FRONT CHANGER<br>AND ALTERNATIVE RECORD CONTROL LEVERS | pages 32-33-34-35 |
| RECORD ROAD HUBS  | page 36           |
| RECORD AND SUPERLIGHT RECORD ROAD PEDALS                                    | page 37           |
| ROAD RECORD CHAINWHEEL SET AND<br>BOTTOM BRACKET SET                        | pages 38-39       |
| RECORD ROAD HEAD SET - RECORD SEAT PIN                                      | page 40           |
| FORK ENDS - SPECIAL CONNECTORS  | page 41           |
| RECORD BRAKES   | pages 42-43       |

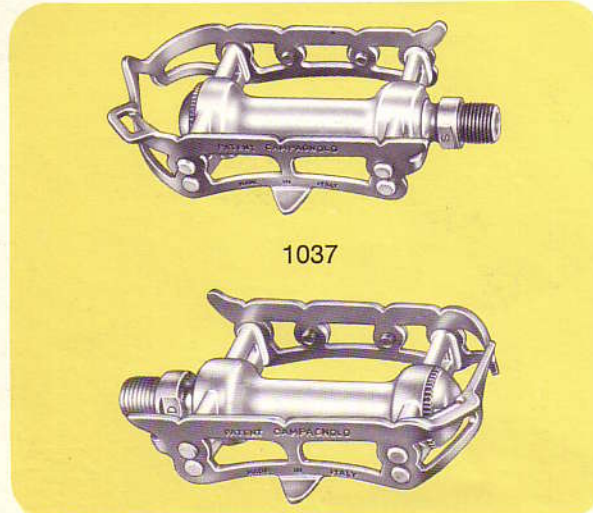
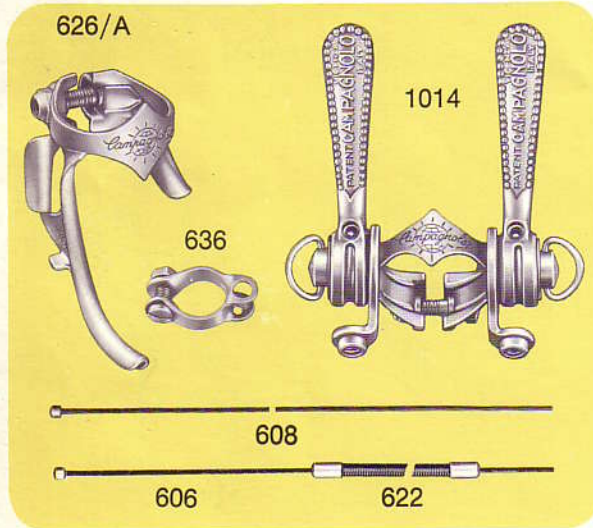
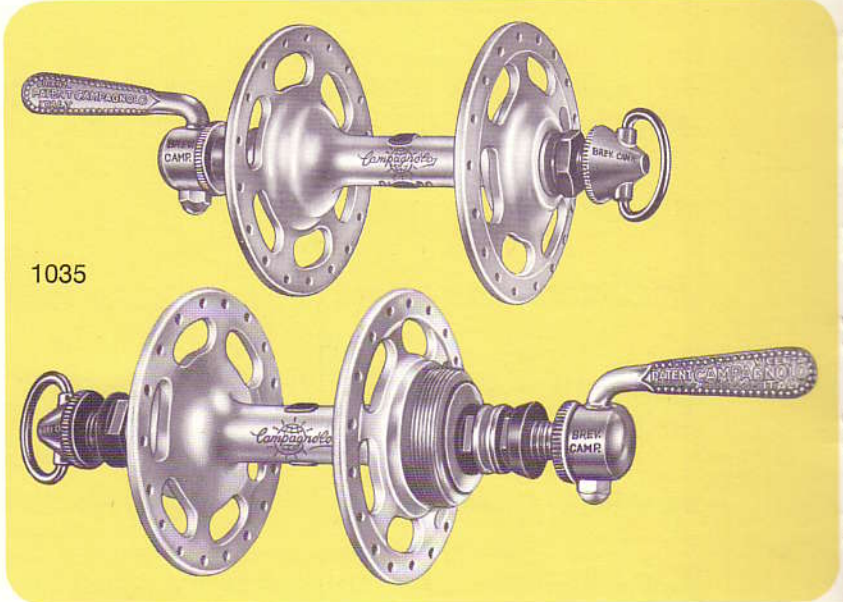
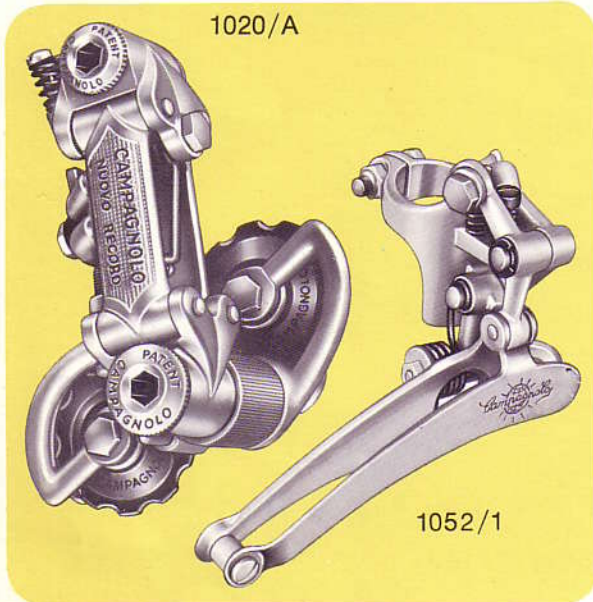
# 1032/F CAMPAGNOLO RECORD ROAD GROUP

(Particular components of this group are illustrated from page 32 to page 43)



- 606 Down tube control gear inner wire (118 cm.)
- 608 Down tube control front changer inner wire (72 cm.)
- 622 Gear stainless steel outer casing (21 cm.)
- 626/A Twin gear cable clip
- 636 Chainstay clip
- 649 Stainless steel brake cable clip
- 1010/A Set Record front and rear fork ends without eyelet.  
See alternatives on page 41
- 1014 Twin down tube control lever.

- 1020/A See alternatives on pages 34-35  
Nuovo Record gear (without hanger)
- 1030/2 Pump connector (thread M9 x 1,25). Any pump connectors shown on page 41 can be supplied instead
- 1035 Pair Record large flange quick release road hubs (front width 100 mm., rear width 120 mm., flanges with 36 holes, thread Ø 35 x 24F.). Upon request are furnished with rear hub suitable



for 6 sprockets, width 125 mm., flanges with 24 - 28 - 32 - 40 holes, thread  $\varnothing$  34.7 x 1M. or  $\varnothing$  1.370" x 24 Tpi-BSC. See other alternatives on page 36

1037 Pair Record road pedals with steel spindle (spindle thread  $\varnothing$  9/16" x 20F.). Upon request furnished spindles threaded M.14 x 1,25

1039 Record road head set (thread 25,4 x 24F.). Upon request furnished with thread

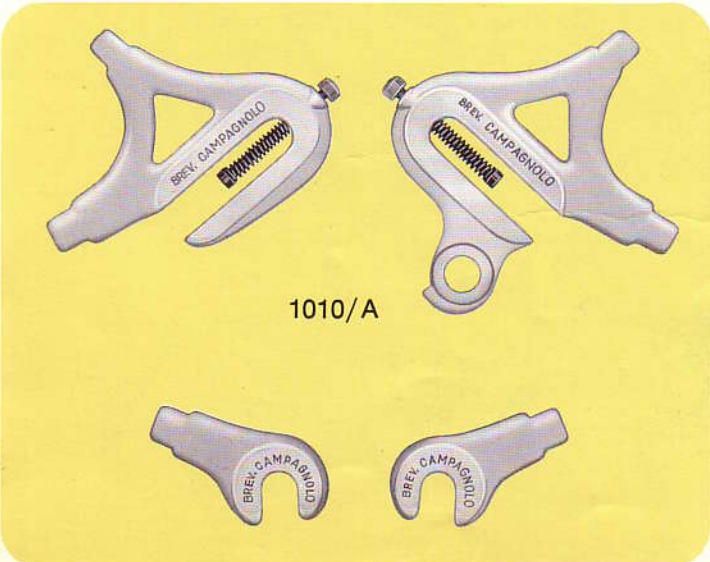
1044  $\varnothing$  25 x 1M. or 1" x 24 Tpi-BSC Seat pin. Specify diameter stem: 25 - 25,8 - 26 - 26,2 - 26,4 - 26,6 - 26,8 - 27 - 27,2 - 27,4 mm. and if pin length in 130 mm. normal or in 180 mm. long

1046/A Nuovo Record bottom bracket set (bracket width 70 mm. and cups threaded  $\varnothing$  36 x 24F.). See alternatives on pages 38-39

1048 Record road chainwheel set with Nuovo Record bottom bracket

1049 Record road chainset (with crank 170 mm. pedal hole  $\varnothing$  9/16" x 20F. and chainrings for chain 1/2" x 3/32" [2 mm.]). Specify the number of teeth of the chainrings available from 42T to 57T. Upon request furnished cranks with lengths 165 - 167,5 - 172,5 - 175 - 177,5 and 180 mm.

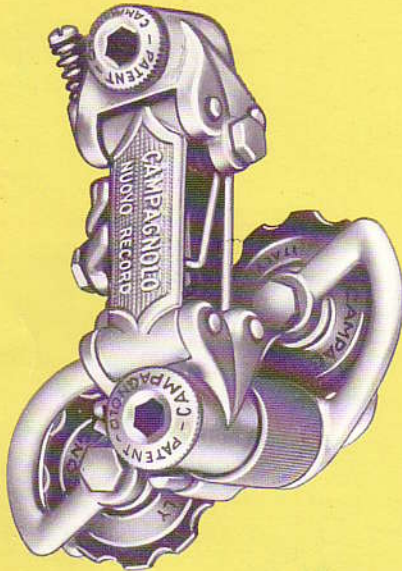
1052/1 2040 Record front changer Set Record brakes. See alternatives on pages 42-43



# PARTICULAR COMPONENTS OF CAMPAGNOLO RECORD ROAD GROUP 1032/F

- 1020/A Nuovo Record gear
- 82/A Body ferrule
- 84 Gear return spring screw
- 88 Clamp washer
- 93/A Sprocket bolt
- 98/A Gear return spring
- 99 Gear adjusting screw
- 120 Lower adjuster spring
- 120/1 Upper adjuster spring
- 124 Fixing screw
- 166/A Upper pivot bolt
- 805/A Upper body
- 806/A Front arm

- 807/A Inner arm
- 808/A Spindle
- 810/A Lower body
- 810/1A Lower body bush
- 811/A Gear spring bolt
- 812/A Spring cage cover
- 812/1A Grub screw
- 813/A Tension spring
- 814/A Outer cage plate
- 815/A Inner cage plate
- 930/A Roller
- 931/A Roller bush
- 937 Roller dust cover



1020/A

